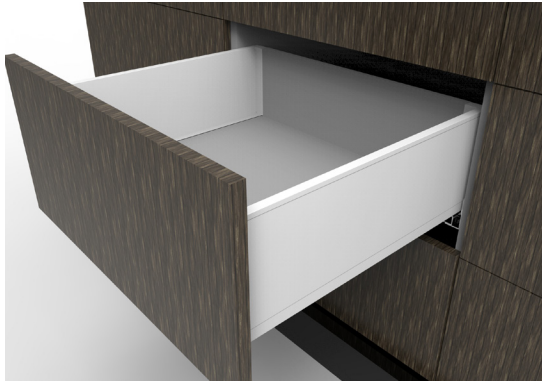


# Slim Drawer System SB1900 - C01

Slim box, height 167mm

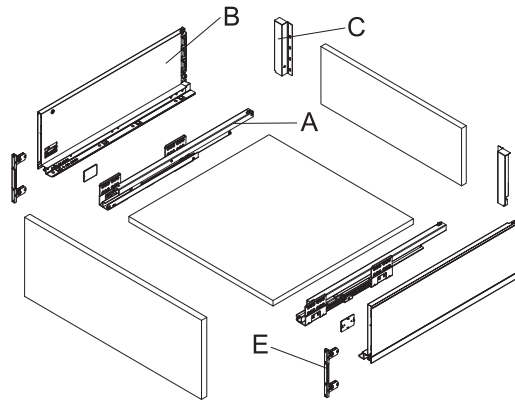


## SOFT-CLOSE

- Basic height, 167mm.
- Loading capacity: 40Kg.
- Wide range of depth from 270mm;300mm;350mm;400mm;450mm;500mm;550mm.
- 4 regular colors, Dark black(B), Silver white(W), Silver grey(G), Light grey(O)
- Front convenient fine adjustment mechanism integrated.  
Up & down  $\pm 1.5$ mm, left & right  $\pm 1.5$ mm.
- Synchronization mechanism of the slides stabilizes the sliding motion and eliminates noises from the living space.

## Product information

### Components view



#### A: SS1801-S

##### Drawer slide L/R

Material - SECC

Loading capacity: 40kg

Length: 270mm;300mm;350mm;400mm;450mm;500mm;550mm.



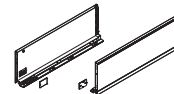
#### B: SS1900-B167

##### Side wall L/R

Material - cold-rolled steel

Color - White / Grey Steel

Length: 270mm;300mm;350mm;400mm;450mm;500mm;550mm.

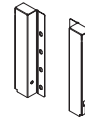


#### C: SS1900-L167

##### Back panel connector L/R

Material - cold-rolled steel

Color - White / Grey Steel



#### E: SS1900-TC1

##### Front connector

Material - SECC + plastic



#### E: SS1900-TC2

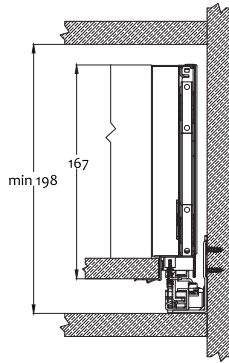
##### Clip on front connector

Material - SECC + plastic

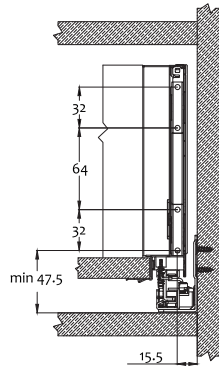


**Mounting**

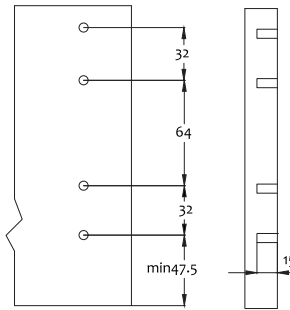
Cabinet space requirements



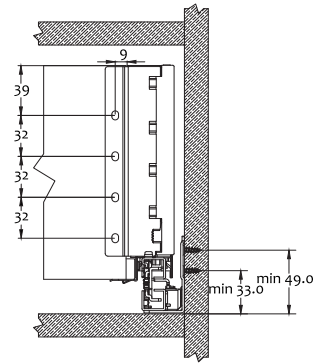
Front connector panel installation dimensions



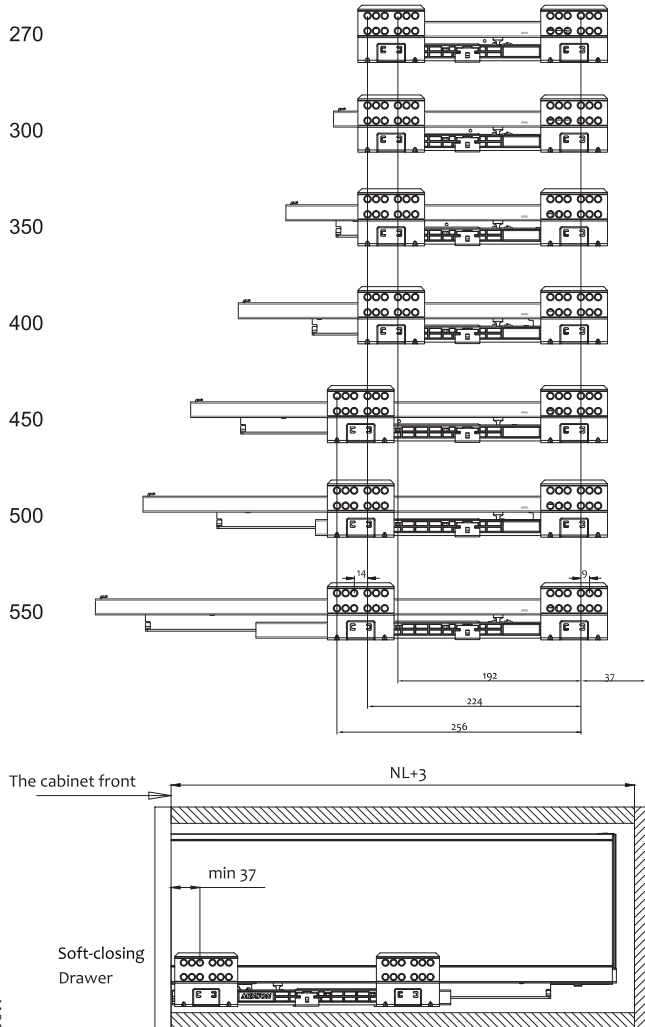
Front panel drilling dimensions



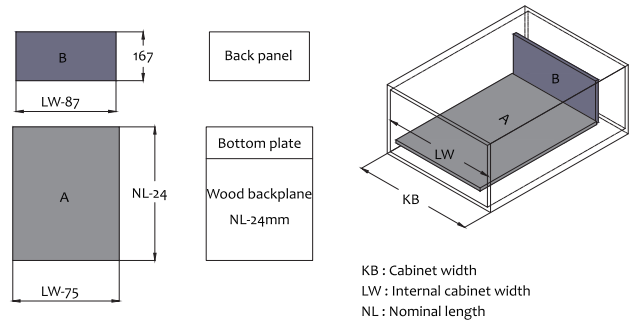
Back panel installation dimensions



**Drawer slide installation dimensions**



**Cutting dimensions for back panel**



**Space required**

