



Inner box with front panel and square railing, height 167mm

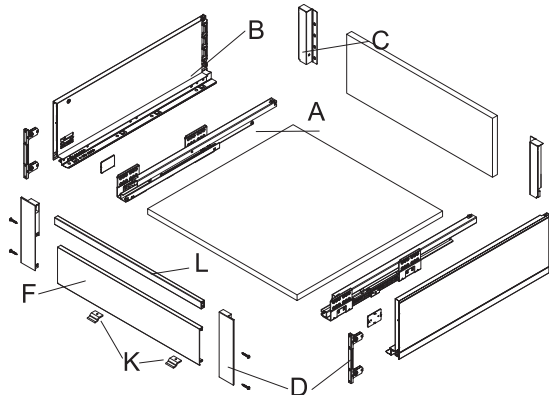


SOFT-CLOSE

- Inner drawer, height 167mm.
- Loading capacity: 40Kg.
- Wide range of depth from 270mm;300mm;350mm;400mm;450mm;500mm;550mm.
- 4 regular colors, Dark black(B), Silver white(W), Silver grey(G), Light grey(O)
- Front convenient fine adjustment mechanism integrated.
Up & down ± 1.5 mm, left & right ± 1.5 mm.
- Synchronization mechanism of the slides stabilizes the sliding motion and eliminates noises from the living space.

Product information

Components view



Slim Drawer System

A: SS1801-S

Drawer slide L/R

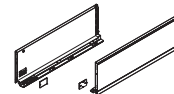
Material - SECC
Loading capacity: 40kg
Length: 270mm;300mm;350mm;400mm;450mm;500mm;550mm.



B: SS1900-B167

Side wall L/R

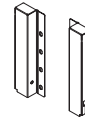
Material - cold-rolled steel
Color - White / Grey Steel
Length: 270mm;300mm;350mm;400mm;450mm;500mm;550mm.



C: SS1900-L167

Back panel connector L/R

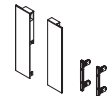
Material - cold-rolled steel
Color - White / Grey Steel



D: SS1900-F167

Inner drawer front connector (square railing) L/R

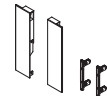
Material - cold-rolled steel + plastic
Color - White / Grey Steel



D: SS1900-F167H

Inner drawer front connector (handle) L/R

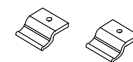
Material - cold-rolled steel + plastic
Color - White / Grey Steel



K: SS1800-37

Front panel bracket to bottom panel

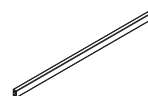
Material - plastic
Color - Grey Steel



L: SS1800-05

Front square railing

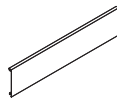
Material - aluminium
Color - White / Grey Steel
Automatically cut - the cabinet body width LW - 92
Length: 600mm;800mm;900mm;1000mm;12000mm



F: SS1800-04

Inner drawer front panel

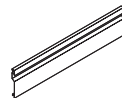
Material - aluminium
Color - White / Grey Steel
Automatically cut - the cabinet body width LW - 98
Length: 600mm;800mm;900mm;1000mm;12000mm



F: SS1800-04H

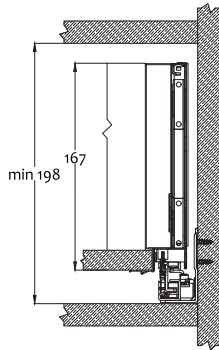
Inner drawer front panel (handle)

Material - aluminium
Color - White / Grey Steel
Automatically cut - the cabinet body width LW - 98
Length: 600mm;800mm;900mm;1000mm;12000mm

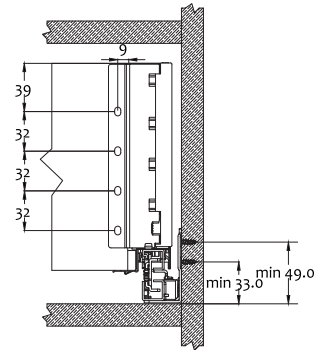


Mounting

Cabinet space requirements

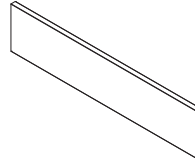


Back panel installation dimensions

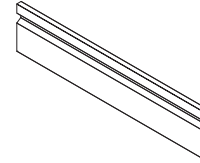


Internal front panel DIY cut

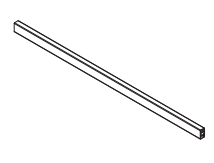
Planar



Handle



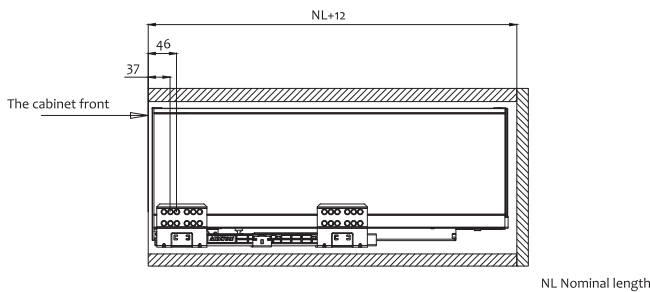
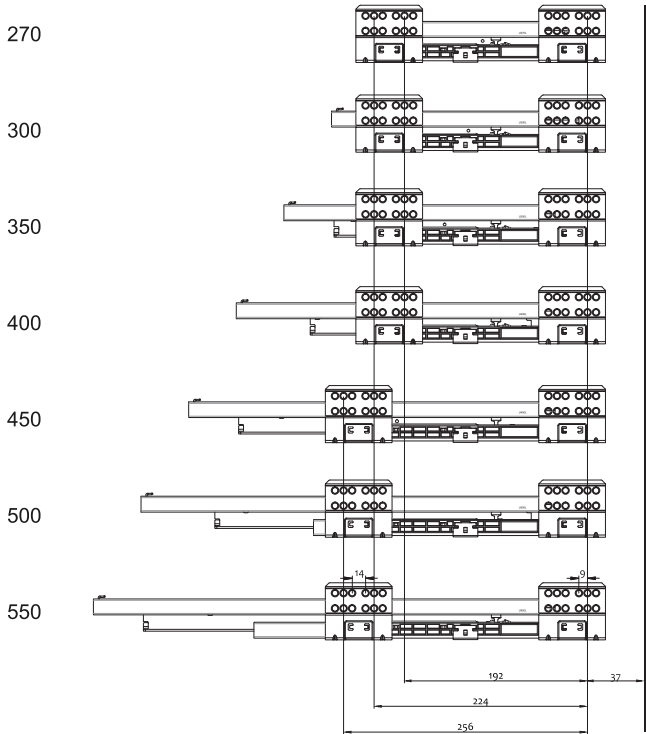
Square rail



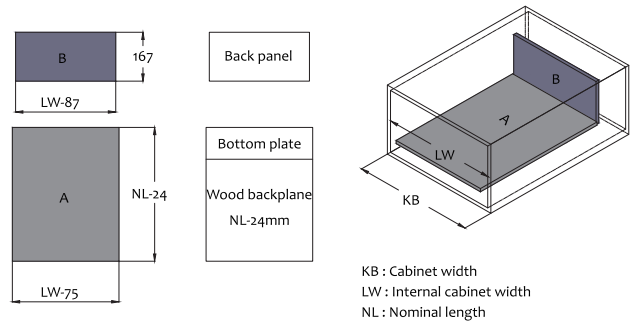
DIY cut: LW - 98mm

DIY cut: LW - 85mm

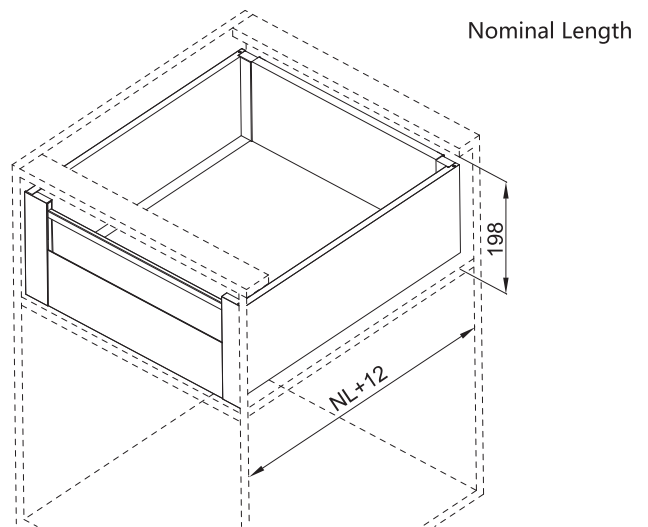
Drawer slide installation dimensions



Cutting dimensions for back panel



Space required



www.meaton-group.com

B

Slim Drawer System