

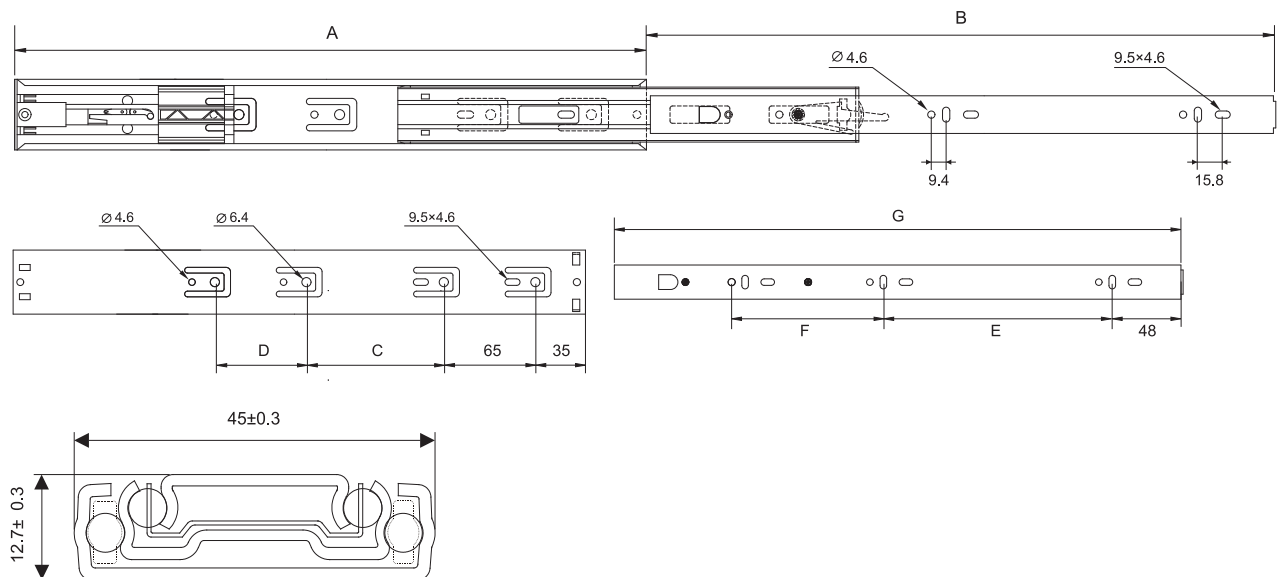
3-Fold push-open ball bearing slides

Technical specifications:



- Width: 45mm
- Size: 10"-24"
- Finish: zinc-plated, black, color-zinc
- Material: cold-rolled steel
- Thickness Range: 1.0 x 1.0 x 1.2mm, 1.2 x 1.2 x 1.4mm
- Push-open full extension ball bearing slide. Chipboard screw on.
- Smooth motion on steel balls. Increased Push-open mechanism.
- Length range from 250 to 600mm.

Installation indication



Unit: mm

Model	Color	A	B	C	D	E	F	G
DF4503-10"	Zinc-plated Blacke	250	204	/	/	/	134.5	246
DF4503-12"	Zinc-plated Blacke	300	285	64	/	96	89	296
DF4503-14"	Zinc-plated Blacke	350	350	96	/	128	108.5	346
DF4503-16"	Zinc-plated Blacke	400	400	96	64	160	106	396
DF4503-18"	Zinc-plated Blacke	450	450	160	64	160	169.4	446
DF4503-20"	Zinc-plated Blacke	500	500	160	64	160	201.4	496
DF4503-22"	Zinc-plated Blacke	550	550	160	128	192	233.4	546
DF4503-24"	Zinc-plated Blacke	600	600	160	128	224	233.4	596

www.meaton.com

C
Ball Bearing Slide